

11. MAINTENANCE AND SPARE PARTS

11.1 Spare parts for models UE001 to UE018

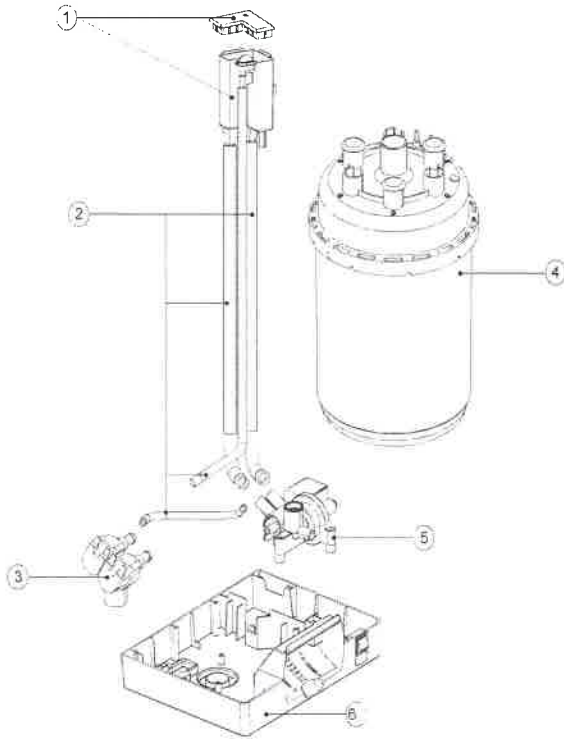


Fig. 11.a

Key

- 1 fill tank
- 2 internal tubing kit
- 3 fill solenoid and drain tempering valve kit
- 4 cylinder
- 5 manifold with drain pump
- 6 plastic base
- 7 plastic humidifier top
- 8 TAM (transformer for measuring the current)
- 9 transformer
- 10 contactor
- 11 fuse carrier
- 12 electronic controller
- 13 power terminals
- 14 plastic base
- 15 switch
- 16 terminal with display

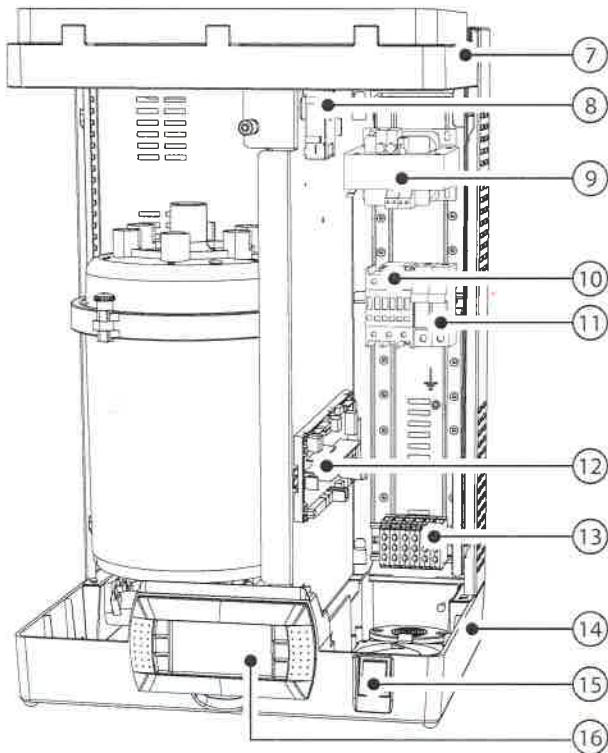


Fig. 11.b

service

Table of water circuit, electrical and electronic spare parts, UE001 to 018

	UE001	UE003	spare part code					position	fig.
			UE005	UE008	UE009	UE010	UE015		
			208-230-460-575 3ph	208-230 1ph					
Water circuit									
Fill tank + conductivity meter				UEKVASC100				1	11.a
fill solenoid and drain tempering valve kit			KITFD11206			KITFD11211		3	11.a
Internal tubing kit			UEKT20000S			UEKT20000M		2	11.a
Plastic humidifier base				UEKBOTTOM0				6	11.a
Plastic humidifier top				UEKTOP0000				7	11.a
Assembled f/d manifold + 230V pump				UEKDRAIN02				5	11.a
Electrical and electronics									
Display terminal				HCT1EXW000				16	11.b
TAM (current transformer)				UEKTAM0000				8	11.b
Contactors		UEKCONT100				UEKCONT200		10	11.b
Power transformer: 208-230-460-575/24 V				UEKTR30000				9	11.b
Electronic controller				UEXxxv0000 ¹				12	11.b
Fuse carrier (F1,F2)				URKFKH10000				11	11.b
Fuse carrier (F3)				UEKFKH10000				11	11.b
F1 - F2 power fuses				URKFUSE100				-	see electrical draw
F4 Transformer secondary fuse				URKFUSE500				-	see electrical draw
F3 Pump fuse				UEKFUSE200				-	see electrical draw
Connection cable between terminal and electronic controller				S90CONN002				-	

Tab. 11.a

¹To make an order specify the complete product code and the serial number of your humidifier.

² XX: kg/h (01_90) and (A3 for 130)
v: voltage



For items not listed, please refer to CAREL, your local branch or agent.

Table of spare part codes, single-phase cylinders UE001 to 009, electrode and gasket kit

Model		UE001	UE003	UE005	UE009
STANDARD disposable cylinders	208/230 Vac 1~, conductivity 350 to 1250 µS/cm	BLOS1F00H2	BLOS1F00H2	BLOS2E00H2	BLOS3F00H2
SPECIAL disposable cylinders	208/230 Vac 1~, conductivity 75 to 350 µS/cm	BLOS1E00H2	BLOS1E00H2	BLOS2E00H2	BLOS3E00H2
SPECIAL openable cylinders	208/230 Vac 1~, conductivity 75 to 350 µS/cm	BLCS1E00W2	BLCS1E00W2	BLCS2E00W2	BLCS3E00W2
	208/230 Vac 1~, conductivity 350 to 1250 µS/cm	BLCS1F00W2	BLCS1F00W2	BLCS2E00W2	BLCS3F00W2
Electrode and gasket kit	208/230 Vac 1~, conductivity 75 to 350 µS/cm	KITBLCS1E2	KITBLCS2E2	KITBLCS2E2	KITBLCS3E2
	208/230 Vac 1~, conductivity 350 to 1250 µS/cm	KITBLCS1F2	KITBLCS2E2	KITBLCS2E2	KITBLCS3F2
Filter gasket kit		KITBLC1FG0	KITBLC2FG0	KITBLC2FG0	KITBLC3FG0

Tab. 11.b

Table of spare part codes, three-phase cylinders UE003 to 018, electrode and gasket kit

Model	UE003	UE005	UE008	UE010	UE015	UE018	
STANDARD disposable cylinders	208/230 VAC 3~, conductivity 350 to 1250 µS/cm	BLOT1B00H2	BLOT2A00H2	BLOT2A00H2	BLOT3A00H2	BLOT3A00H2	--
	460 VAC 3~, conductivity 350 to 750 µS/cm	BLOT1D00H2	BLOT2D00H2	BLOT2D00H2	BLOT3D00H2	BLOT3D00H2	BLOT3D00H2
	575 VAC 3~, conductivity 350 to 750 µS/cm		BLOT2D00H2	BLOT2D00H2	BLOT3D00H2	BLOT3D00H2	BLOT3D00H2
SPECIAL disposable cylinders	208/230 VAC 3~, conductivity 75-350 µS/cm	BLOT1A00H2	BLOT2A00H2	BLOT2A00H2	BLOT3A00H2	BLOT3A00H2	--
	460 VAC 3~, conductivity 75 to 350 µS/cm	BLOT1B00H2	BLOT2C00H2	BLOT2C00H2	BLOT3C00H2	BLOT3C00H2	BLOT3C00H2
	460 VAC 3~, conductivity 750 to 1250 µS/cm	BLOT1D00H2	BLOT2D00H2	BLOT2D00H2	BLOT3D00H2	BLOT3D00H2	BLOT3D00H2
	575 VAC 3~, conductivity 75 to 350 µS/cm		BLOT2C00H2	BLOT2C00H2	BLOT3C00H2	BLOT3C00H2	BLOT3C00H2
	575 VAC 3~, conductivity 750 to 1250 µS/cm		BLOT2D00H2	BLOT2D00H2	BLOT3D00H2	BLOT3D00H2	BLOT3D00H2
SPECIAL openable cylinders	208/230 VAC 3~, conductivity 75-350 µS/cm	BLCT1A00W2	BLCT2A00W2	BLCT2A00W2	BLCT3A00W2	BLCT3A00W2	--
	460 VAC 3~, conductivity 75 to 350 µS/cm	BLCT1B00W2	BLCT2C00W2	BLCT2C00W2	BLCT3C00W2	BLCT3C00W2	BLCT3C00W2
	460 VAC 3~, conductivity 350 to 750 µS/cm	BLCT1D00W2	BLCT2D00W2	BLCT2D00W2	BLCT3D00W2	BLCT3D00W2	BLCT3D00W2
	460 VAC 3~, conductivity 750 to 1250 µS/cm	BLCT1D00W2	BLCT2D00W2	BLCT2D00W2	BLCT3D00W2	BLCT3D00W2	BLCT3D00W2
	575 VAC 3~, conductivity 75 to 350 µS/cm		BLCT2C00W2	BLCT2C00W2	BLCT3C00W2	BLCT3C00W2	BLCT3C00W2
	575 VAC 3~, conductivity 350 to 750 µS/cm		BLCT2D00W2	BLCT2D00W2	BLCT3D00W2	BLCT3D00W2	BLCT3D00W2
	575 VAC 3~, conductivity 750 to 1250 µS/cm		BLCT2D00W2	BLCT2D00W2	BLCT3D00W2	BLCT3D00W2	BLCT3D00W2
	575 VAC 3~, conductivity 750 to 1250 µS/cm		BLCT2D00W2	BLCT2D00W2	BLCT3D00W2	BLCT3D00W2	BLCT3D00W2
Electrode and gasket kit	Electrode kit 208/230 Vac 3~, 75/350 µS/cm	KITBLCT1A2	KITBLCT2A2	KITBLCT2A2	KITBLCT3A2	KITBLCT3A2	--
	Electrode kit 208/230 Vac 3~, 350/1250 µS/cm	KITBLCT1B2	KITBLCT2A2	KITBLCT2A2	KITBLCT3A2	KITBLCT3A2	--
	Electrode kit 460 Vac 3~, 75/350 µS/cm	KITBLCT1B2	KITBLCT2C2	KITBLCT2C2	KITBLCT3C2	KITBLCT3C2	KITBLCT3C2
	Electrode kit 460 Vac 3~, 350/750 µS/cm	KITBLCT1D2	KITBLCT2D2	KITBLCT2D2	KITBLCT3D2	KITBLCT3D2	KITBLCT3D2
	Electrode kit 460 Vac 3~, 750/1250 µS/cm	KITBLCT1D2	KITBLCT2D2	KITBLCT2D2	KITBLCT3D2	KITBLCT3D2	KITBLCT3D2
	Filter gasket kit	KITBLC1FG0	KITBLC2FG0	KITBLC2FG0	KITBLC3FG0	KITBLC3FG0	KITBLC3FG0
	575 VAC 3~, conductivity 75 to 350 µS/cm		KITBLCT2C2	KITBLCT2C2	KITBLCT3C2	KITBLCT3C2	KITBLCT3C2
	575 VAC 3~, conductivity 350 to 750 µS/cm		KITBLCT2D2	KITBLCT2D2	KITBLCT3D2	KITBLCT3D2	KITBLCT3D2
575 VAC 3~, conductivity 750 to 1250 µS/cm		KITBLCT2D2	KITBLCT2D2	KITBLCT3D2	KITBLCT3D2	KITBLCT3D2	

Tab. 11.c

11.2 Spare parts for models UE025 to UE065

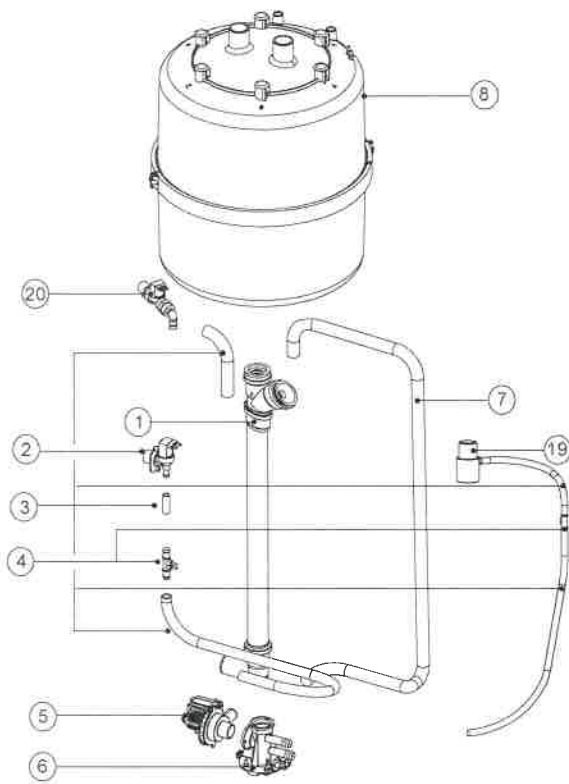


Fig. 11.c

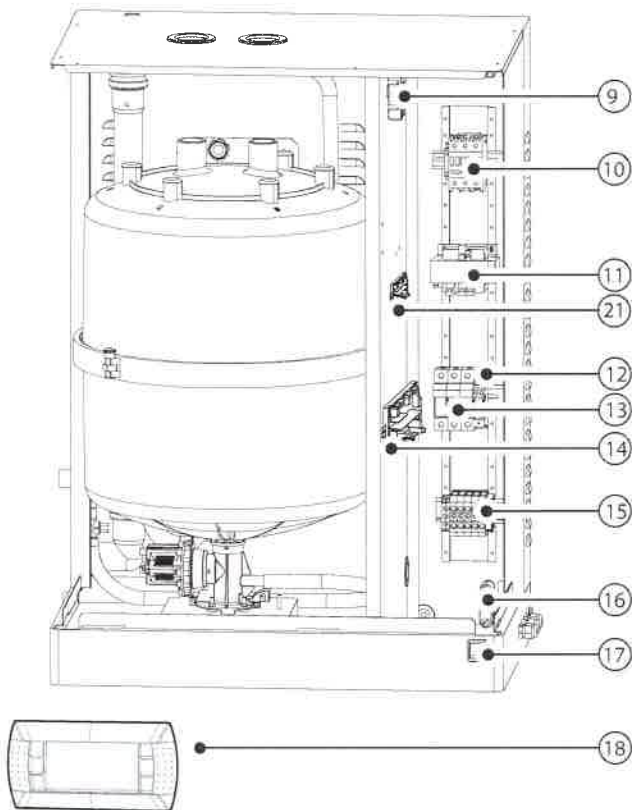


Fig. 11.d

Key:

- 1 drain circuit
- 2 fill solenoid valve kit
- 3 internal tubing kit
- 4 conductivity meter
- 5 drain pump kit
- 6 manifold
- 7 drain pump hose
- 8 cylinder
- 9 TAM (transformer for measuring the current)
- 10 contactor
- 11 transformer
- 12 pump control relay
- 13 fuse carrier
- 14 electronic controller
- 15 power terminals
- 16 cable clamp
- 17 switch
- 18 terminal with liquid crystal display (fitted on the cover of the electrical compartment)
- 19 kit outlet connector steam (only in the UE045(208-230Vac and UE065)
- 20 drain tempering valve
- 21 liquid level cutoff (only in the UE045(208-230Vac and UE065)

Table of water circuit, electrical and electronic spare parts, UE025 to UE065

description	spare part code						position	fig.	
	UE025		UE035		UE045				UE065
	208-230 V	460-575 V	208-230V	460-575V	460 -575 V	208-230 V			
Water circuit									
Drain pump hose				UEKDH0000			7	11.c	
Manifold			UEKCOLL000			UEKCOLL100	6	11.c	
Drain pump kit				KITPSE0000			5	11.c	
Internal tubing kit			UEKT20000L			UEKT2000XL	3	11.c	
Kit double check valve				FWHDCV0000			-		
Conductivity meter kit				KITCN00000			4	11.c	
Fill solenoid valve kit		KITVC10058				KITVC10070	2	11.c	
Drain circuit			UEKDC00000			UEKDC100000	1	11.c	
kit outlet connector steam						UEKCS00000	19	11.c	
kit drain tempering				KITDT10030			20	11.c	
Electrical and electronics									
Display terminal				HCT1EXF000			18	11.d	
TAM (current transformer)				UEKTAM0000			9	11.d	
Contactor	URKCONT300 + UEKCONT200	URKCONT300	URKCONT300	URKCONT400		URKCONT300	10		
Power transformer: 208-230-460-575-24V				UEKTR40000			11	11.d	
Electronic controller				UEXxxv0000 ¹⁾			14	11.d	
Fuse carrier				URKFH20000			13	11.d	
Pump control relay				UEKRD00000			12	11.d	
F1 - F2 230 to 208Vac power fuses				URKFUSE200			-	see electrical draw	
F1 - F2 460 to 575Vac power fuses				URKFUSE100			-	see electrical draw	
F3 Pump fuse				URKFUSE400			-	see electrical draw	
F4 Transformer secondary fuse				URKFUSE500			-	see electrical draw	
Connection cable between terminal and electronic controller				S90CONN002			-		
kit liquid level switch						UEKLL00000	UEKLL00000	-	see electrical draw

Tab. 11.d

¹⁾ To make an order specify the complete product code and the serial number of your humidifier.

XX: kg/h (01, 90) and (A3 for 130)
v: voltage

➡ For items not listed, please refer to CAREL, your local branch or agent.

service

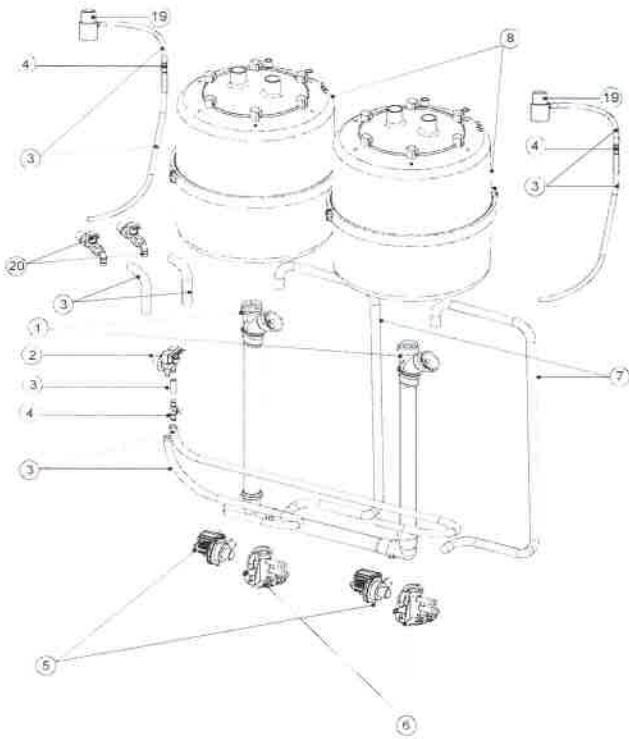
CAREL

Table of spare parts for standard and special cylinders UE025 to UE065

Description	UE025	UE035	UE045	UE065	
STANDARD disposable cylinders	208V 3ph cylinder, conductivity 350 to 1250 $\mu\text{S}/\text{cm}$	BL0T4C00H2	BL0T4B00H2	BL0T5A00H1	-
	230V 3ph cylinder, conductivity 350 to 1250 $\mu\text{S}/\text{cm}$	BL0T4C00H2	BL0T4B00H2	BL0T5B00H0	-
	460V 3ph cylinder, conductivity 350 to 1250 $\mu\text{S}/\text{cm}$	BL0T4D00H2	BL0T4D00H2	BL0T4D00H2	BL0T5D00H0
	575V 3ph cylinder, conductivity 350 to 1250 $\mu\text{S}/\text{cm}$	BL0T4D00H2	BL0T4D00H2	BL0T4D00H2	BL0T5D00H0
SPECIAL disposable cylinders	208V 3ph cylinder, conductivity 75 to 350 $\mu\text{S}/\text{cm}$	BL0T4B00H2	BL0T4B00H2	BL0T5A00H1	--
	230V 3ph cylinder, conductivity 75 to 350 $\mu\text{S}/\text{cm}$	BL0T4B00H2	BL0T4B00H2	BL0T5A00H1	--
	460V 3ph cylinder, conductivity 75 to 350 $\mu\text{S}/\text{cm}$	BL0T4C00H2	BL0T4C00H2	BL0T4C00H2	BL0T5C00H0
	575V 3ph cylinder, conductivity 75 to 350 $\mu\text{S}/\text{cm}$	BL0T4D00H2	BL0T4D00H2	BL0T4D00H2	BL0T5C00H0
SPECIAL openable cylinders	208V 3ph cylinder, conductivity 75 to 350 $\mu\text{S}/\text{cm}$	BLCT4B00W2	BLCT4B00W2	BLCT5A00W1	--
	230V 3ph cylinder, conductivity 75 to 350 $\mu\text{S}/\text{cm}$	BLCT4B00W2	BLCT4B00W2	BLCT5A00W1	--
	208V 3ph cylinder, conductivity 350 to 1250 $\mu\text{S}/\text{cm}$	BLCT4C00W2	BLCT4B00W2	BLCT5A00W1	--
	230V 3ph cylinder, conductivity 350 to 1250 $\mu\text{S}/\text{cm}$	BLCT4C00W2	BLCT4B00W2	BLCT5B00W0	--
	460V 3ph cylinder, conductivity 75 to 350 $\mu\text{S}/\text{cm}$	BLCT4D00W2	BLCT4C00W2	BLCT4C00W2	BLCT5C00W0
	460V 3ph cylinder, conductivity 350 to 1250 $\mu\text{S}/\text{cm}$	BLCT4D00W2	BLCT4D00W2	BLCT4D00W2	BLCT5C00W0
	575V 3ph cylinder, conductivity 75 to 350 $\mu\text{S}/\text{cm}$	BLCT4D00W2	BLCT4D00W2	BLCT4D00W2	BLCT5C00W0
	575V 3ph cylinder, conductivity 350 to 1250 $\mu\text{S}/\text{cm}$	BLCT4D00W2	BLCT4D00W2	BLCT4D00W2	BLCT5D00W0
	Electrode and gasket kit	208V 3ph cylinder, conductivity 75 to 350 $\mu\text{S}/\text{cm}$	KITBLCT4B2	KITBLCT4B2	KITBLCT5A0
208V 3ph cylinder, conductivity 350 to 1250 $\mu\text{S}/\text{cm}$		KITBLCT4C2	KITBLCT4B2	KITBLCT5A0	--
230V 3ph cylinder, conductivity 75 to 350 $\mu\text{S}/\text{cm}$		KITBLCT4B2	KITBLCT4B2	KITBLCT5A0	--
230V 3ph cylinder, conductivity 350 to 1250 $\mu\text{S}/\text{cm}$		KITBLCT4C2	KITBLCT4B2	KITBLCT5B0	--
460V 3ph cylinder, conductivity 75 to 350 $\mu\text{S}/\text{cm}$		KITBLCT4D2	KITBLCT4C2	KITBLCT4C2	KITBLCT5C0
460V 3ph cylinder, conductivity 350 to 1250 $\mu\text{S}/\text{cm}$		KITBLCT4D2	KITBLCT4D2	KITBLCT4D2	KITBLCT5D0
575V 3ph cylinder, conductivity 75 to 350 $\mu\text{S}/\text{cm}$		KITBLCT4D2	KITBLCT4D2	KITBLCT4D2	KITBLCT5C0
575V 3ph cylinder, conductivity 350 to 1250 $\mu\text{S}/\text{cm}$		KITBLCT4D2	KITBLCT4D2	KITBLCT4D2	KITBLCT5D0
Gasket and filter kit	KITBLC4FG0	KITBLC4FG0	KITBLC4FG0	KITBLC5FG0	

Tab. 11.e

11.3 Spare parts for models UE090 to UE130



Key:

- 1 drain circuit
- 2 fill solenoid valve kit
- 3 internal tubing kit
- 4 conductivity meter
- 5 drain pump kit
- 6 manifold
- 7 drain pump hose
- 8 cylinder
- 9 TAM (transformer for measuring the current)
- 10 contactor
- 11 transformer
- 12 pump control relay
- 13 fuse carrier
- 14 electronic controller
- 15 power terminals
- 16 cable clamp
- 17 switch
- 18 terminal with liquid crystal display (fitted on the cover of the electrical compartment)
- 19 kit outlet connector steam
- 20 drain tempering valve
- 21 liquid level safety switch

Fig. 11.e

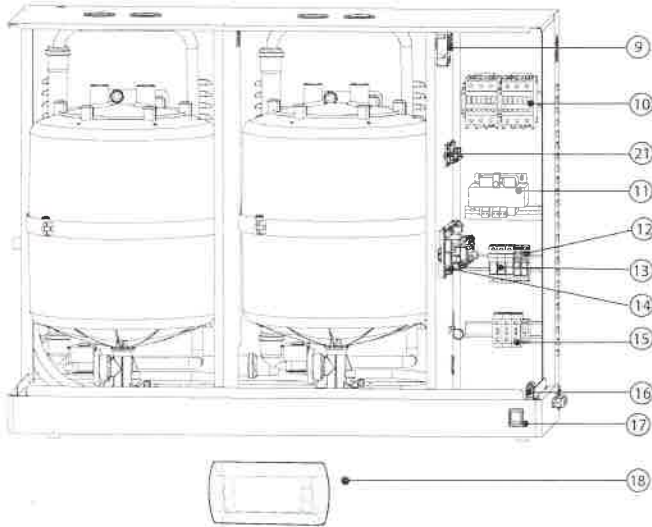


Fig. 11.f

service

Table of water circuit, electrical and electronic spare parts, UE090 to UE130

description	spare part code		position	fig.
	UE090	UE130		
Water circuit				
Drain pump hose	UEKDH00000		7	11.e
Manifold	UEKCOLL100		6	11.e
Drain pump kit	KITPSE0000		5	11.e
Internal tubing kit	UEKT200XXL		3	11.e
Double check valve kit	FWHDCV0000		-	
Conductivity meter kit	KITCN00000		4	11.e
Fill solenoid valve kit	KITVC10140		2	11.e
Drain circuit	UEKDC20000		1	11.e
kit drain tempering	KITDT10030		20	11.e
kit outlet connector steam	UEKCS00000		19	11.e
Electrical and electronics				
Display terminal	HCT1EXF000		18	11.f
TAM (current transformer)	UEKTAM0000		9	11.f
Contacteur	URKCONT300		10	11.f
Power transformer	UEKTR20000		11	11.f
Electronic controller	UEXxxv0000 ⁴⁵		14	11.f
Fuse carrier	URKFH20000		13	11.f
Pump control relay	UEKRD00000		12	11.f
F1 - F2 power fuses	URKFUSE200		-	see electrical draw
F3 Pump fuse	URKFUSE300		-	see electrical draw
F4 Transformer secondary fuse	UEKFUSE400		-	see electrical draw
kit liquid level switch	UEKLL00000		-	see electrical draw
Connection cable between terminal and electronic controller	S90CONN002		-	

Tab. 11.f

⁴⁵ To make an order specify the complete product code and the serial number of your humidifier.

⁴⁶ XX: kg/h (01...90) and (A3 for 130)
v: voltage



For items not listed, please refer to CAREL, your local branch or agent

Table of spare parts for standard and special cylinders UE090 to UE130

Description		UE090	UE130
STANDARD disposable cylinders	460V 3ph cylinder, conductivity 350 to 1250 µS/cm	BLOT4D00H2	BLOT5D00H0
	575V 3ph cylinder, conductivity 350 to 1250 µS/cm	BLOT4D00H2	BLOT5D00H0
SPECIAL disposable cylinders	460V 3ph cylinder, conductivity 75 to 350 µS/cm	BLOT4C00H2	BLOT5C00H0
	575V 3ph cylinder, conductivity 75 to 350 µS/cm	BLOT4D00H2	BLOT5D00H0
SPECIAL openable cylinder	460V 3ph cylinder, conductivity 75 to 350 µS/cm	BLCT4C00W2	BLCT5C00W0
	460V 3ph cylinder, conductivity 350 to 1250 µS/cm	BLCT4D00W2	BLCT5D00W0
	575V 3ph cylinder, conductivity 75 to 350 µS/cm	BLCT4D00W2	BLCT5D00W0
	575V 3ph cylinder, conductivity 350 to 1250 µS/cm	BLCT4C00W2	BLCT5C00W0
Electrode and gasket kit	460V 3ph cylinder, conductivity 75 to 350 µS/cm	KITBLCT4C2	KITBLCT5C0
	460V 3ph cylinder, conductivity 350 to 1250 µS/cm	KITBLCT4D2	KITBLCT5D0
	575V 3ph cylinder, conductivity 75 to 350 µS/cm	KITBLCT4D2	KITBLCT4D0
	575V 3ph cylinder, conductivity 350 to 1250 µS/cm	KITBLCT4D2	KITBLCT5D0
Gasket and filter kit		KITBLC4FG0	KITBLC5FG0

Tab. 11.g